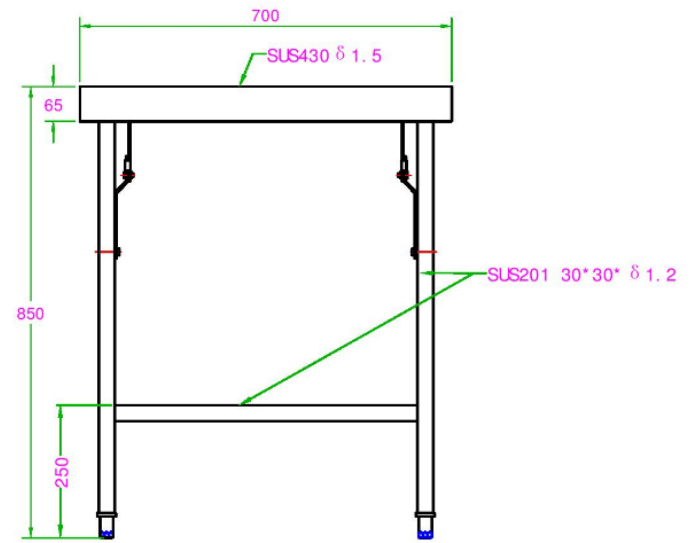
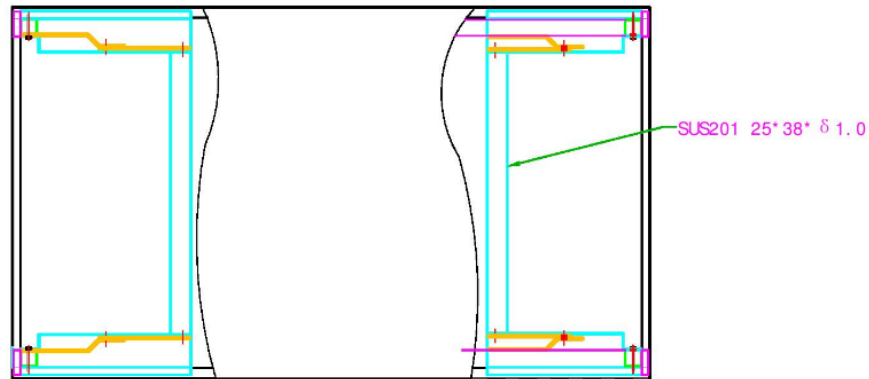


Before Legs folded



After Legs folded



DRAWN	DATE	CHECK	DATE	ITEM NO.:	REV NO.
H1	2016-04-26	C3	2016/ 4/ 26	7490.0005	